



Multi-Dome Hip

for shading large areas on a budget

- A series of hip end shades that share common posts
- Great solution for sports complex seating and parking lots
- An economical way of shading a very large area
- Shade fabric can match or have alternating colors
- Available in a variety of sizes

OPTIONS, FEATURES, AND FABRIC

Surface or In-Ground Mount
8', 10', or 12' Height, Custom Heights Available
With or Without Glide Elbow™
Traditional Shade Fabric



Multi-Dome Hip – LL Plaza



DUAL SHADE FABRIC OPTION

Multiple Sail Shades

designs unique to you

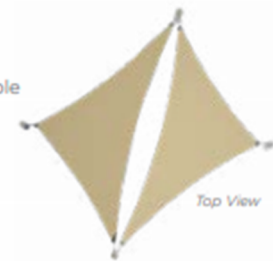
- Pair multiple sail shades to create a truly unique, yet simple, structure
- Provide ample coverage with a fun look

Sail size limited to 50' per triangular edge for Traditional Shade Fabric and limited to 50' x 50' x 40' triangular edges for Dual Shade Fabric.

OPTIONS, FEATURES, AND FABRIC

Surface or In-Ground Mount
8', 10', or 12' Height, Custom Heights Available
Traditional Shade or Dual Shade Fabric

**For spans exceeding 50', please contact your SRP Shade representative.*



Triangular Sails – Main Concession Plaza





DUAL SHADE FABRIC OPTION

Hyperbolic Sail

eye-catching designs

- Perfect for both small and large activity areas
- Sails that look exceptional while remaining functional in the heat

Sail size limited to 35' per edge.

OPTIONS, FEATURES, AND FABRIC

Surface or In-Ground Mount

8', 10', or 12' Height, Custom Heights Available

Traditional or Dual Shade Fabric

**For spans exceeding 35', please contact your SRP Shade representative.*

Top View



Square Hyperbolic Sail – Alternate for either plaza

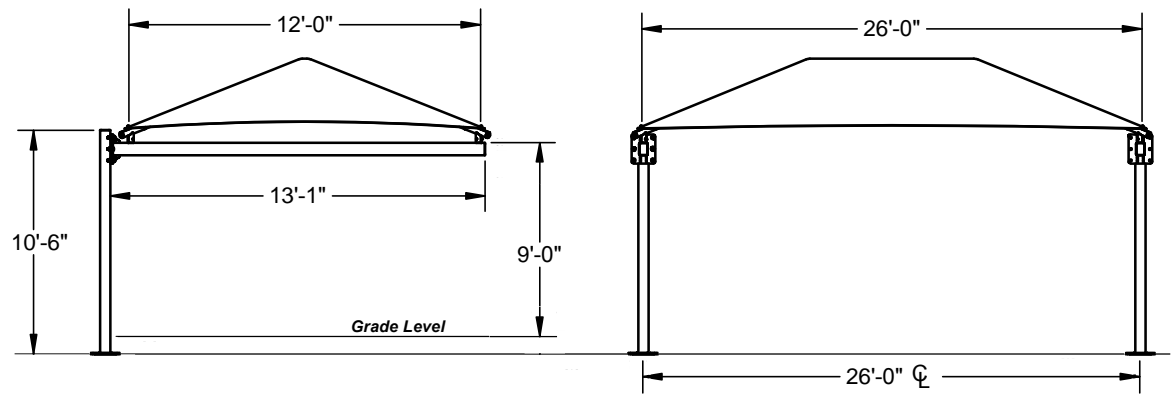


CANTILEVER / BLEACHER SHADE

26' x 12' x 9'

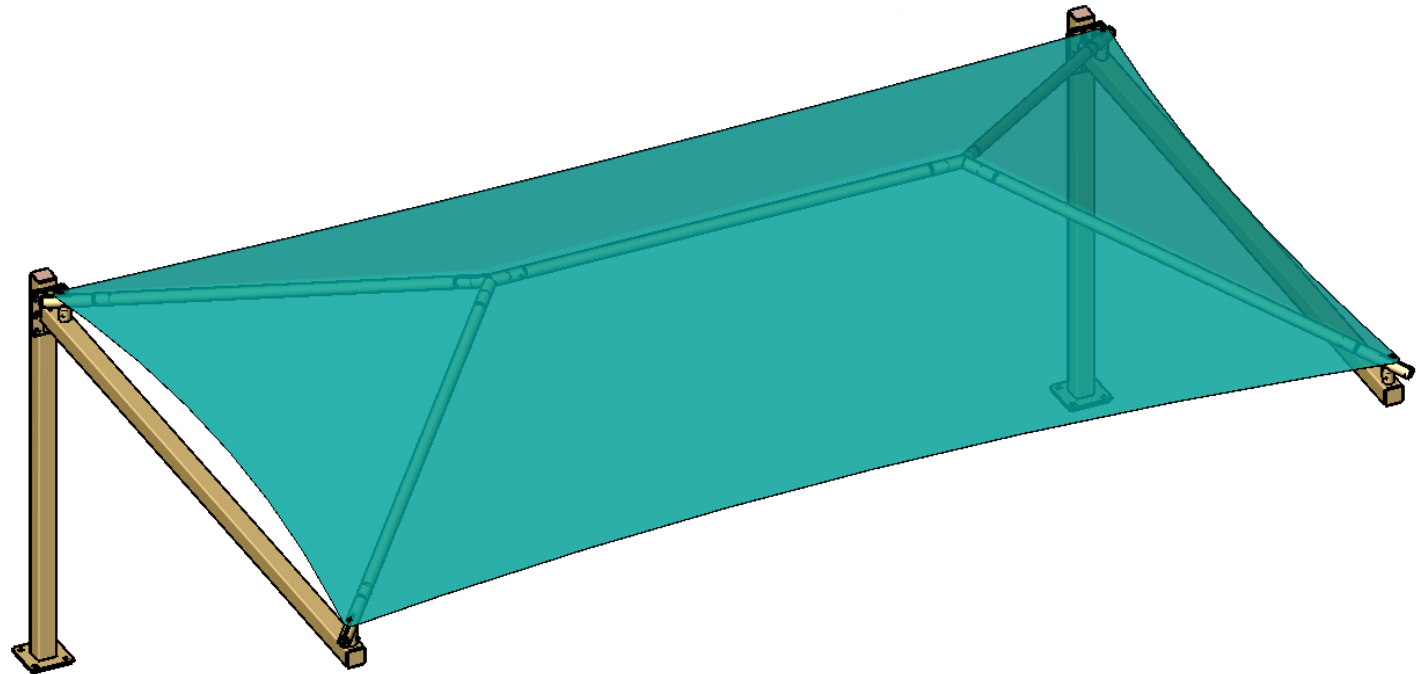
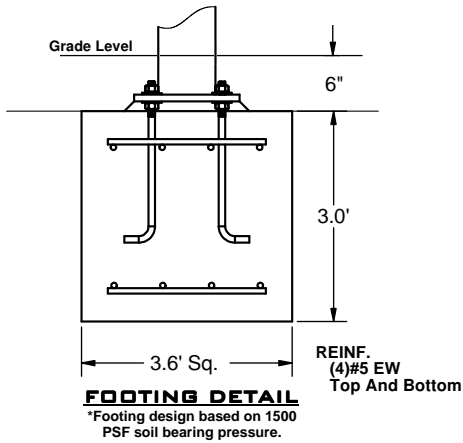
MODEL #:
 HC261209SG-105 (With Glide Elbows)
 HC261209SN-105 (Without Glide Elbows)

REF.#	PART DESCRIPTION	QTY.
1	6" Sq. BP Flanged Cantilever	2
2	5" Sq. Beam Flanged With Caps	2
3	Ø2.88" Elbow	4
4	Ø2.88" Hip Rafter w/ Swaged End	4
5	Ø2.88" Ridge Pole w/ Swaged Ends	1
6	Ø2.88" Rectangle "Y" Connection	2
7	26' x 12' Fabric Cover With Cable Insert	1
8	Frame Hardware Kit	1



SIDE VIEW

ELEVATION VIEW



Cantilever over Bleachers

1050 Columbia Drive
 Carrollton, Georgia
 1.888.829.8997 | 770.834.2764 (f)

SUPERIOR
 RECREATIONAL PRODUCTS

These drawings are for reference only and should not be used as construction details. Materials, fasteners, and foundations are subject to change if professionally sealed engineering drawings are required. Designed for 105 MPH Basic Wind Speed.